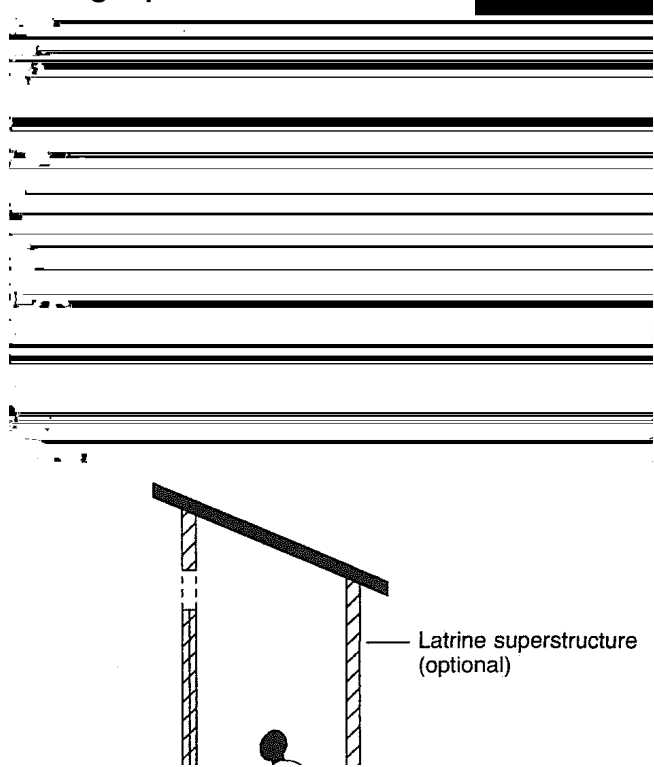


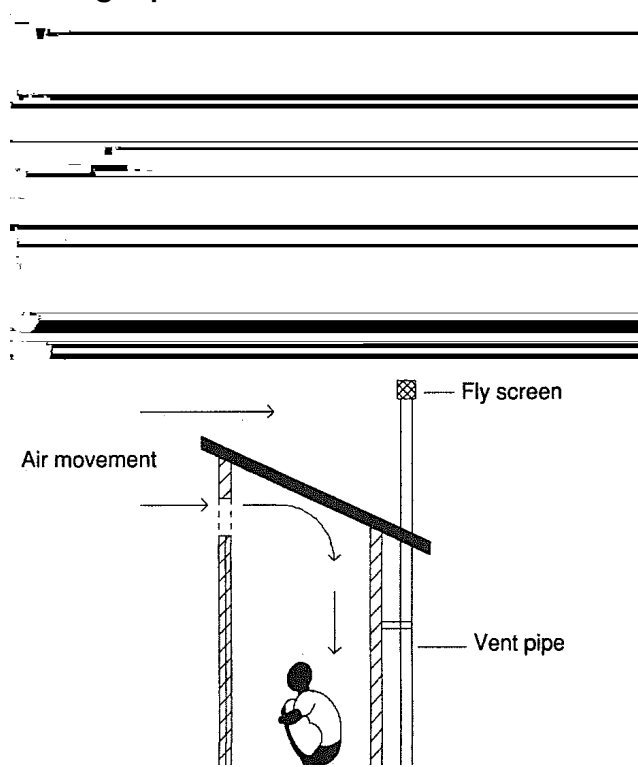
# 23. A guide to sanitation selection

Drawings 1-6 illustrate the principal options for on-site sanitation. The *Guide to Sanitation Selection* on the centre pages may be used to determine which option is likely to be most effective according to the method of anal cleansing, water availability and willingness to pay.

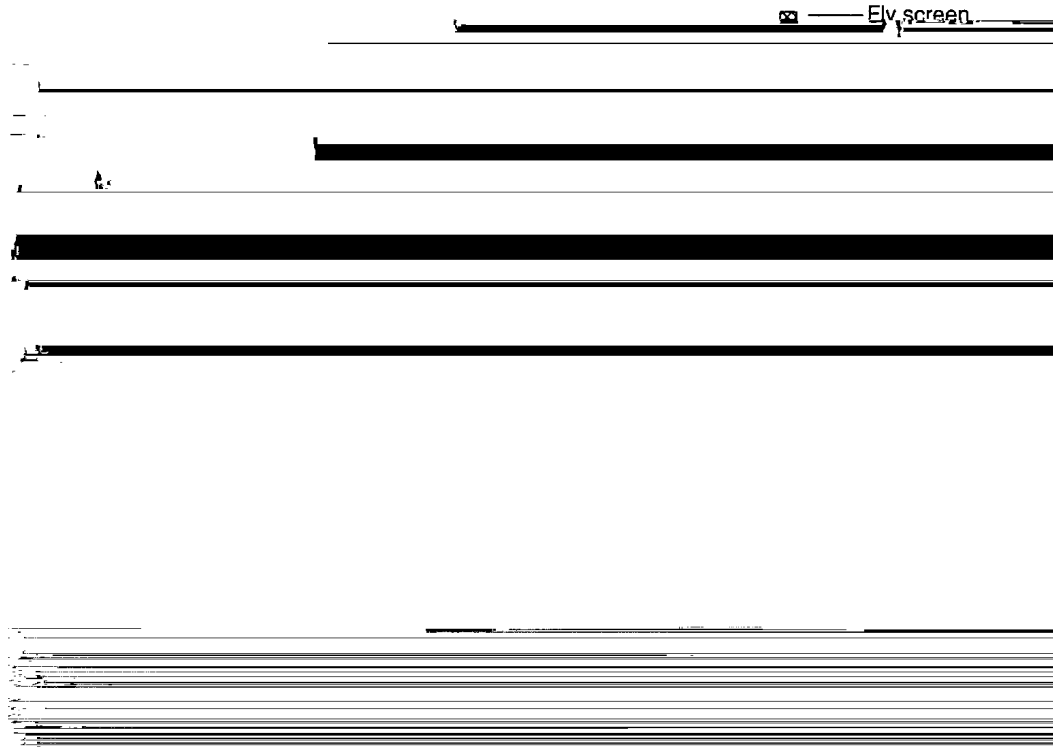
## 1. Single pit sealed lid

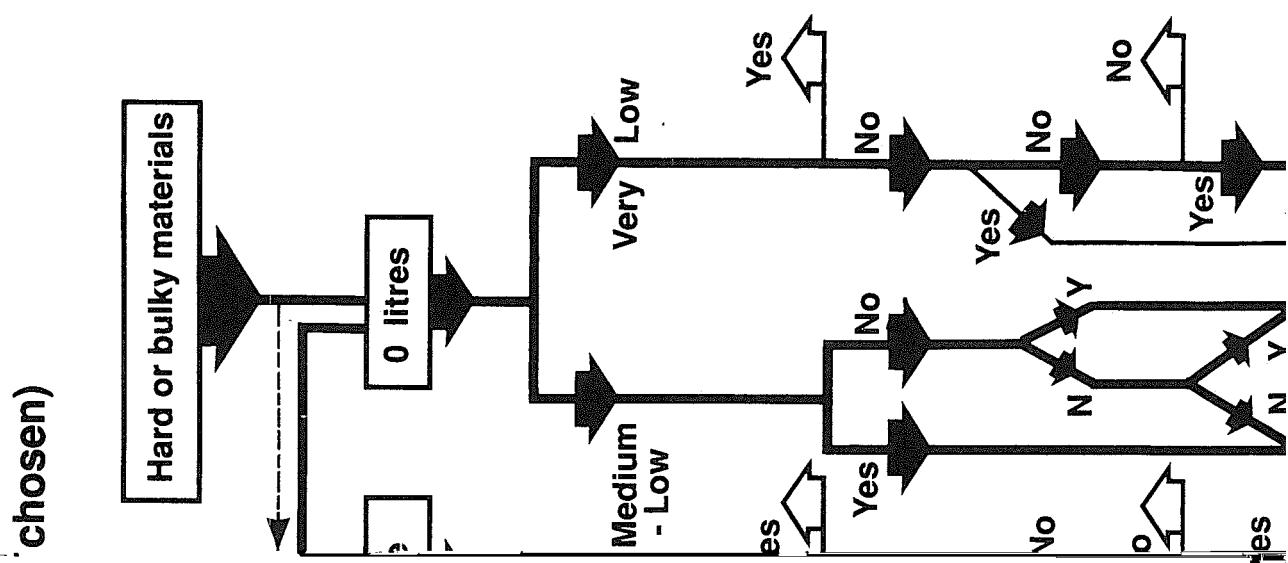


## 2. Single pit ventilated



## 3. Twin pit ventilated



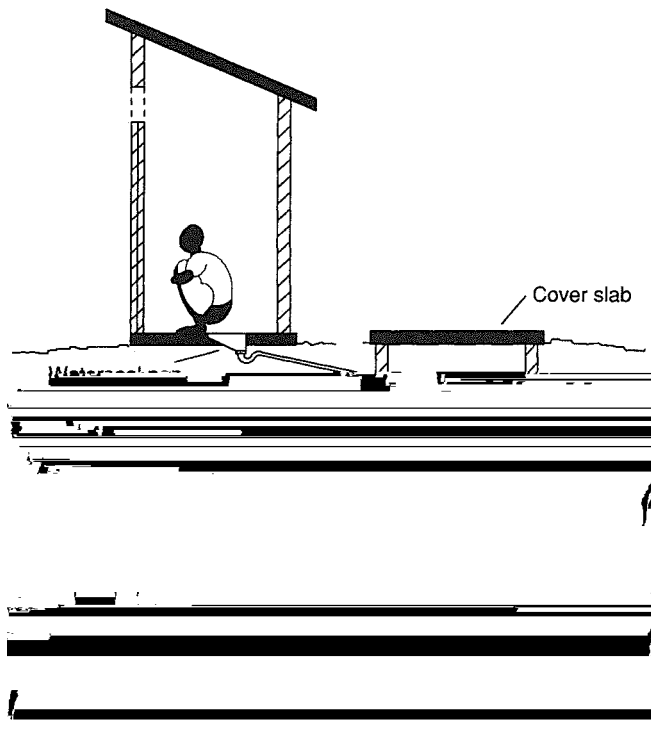


(Note 2)

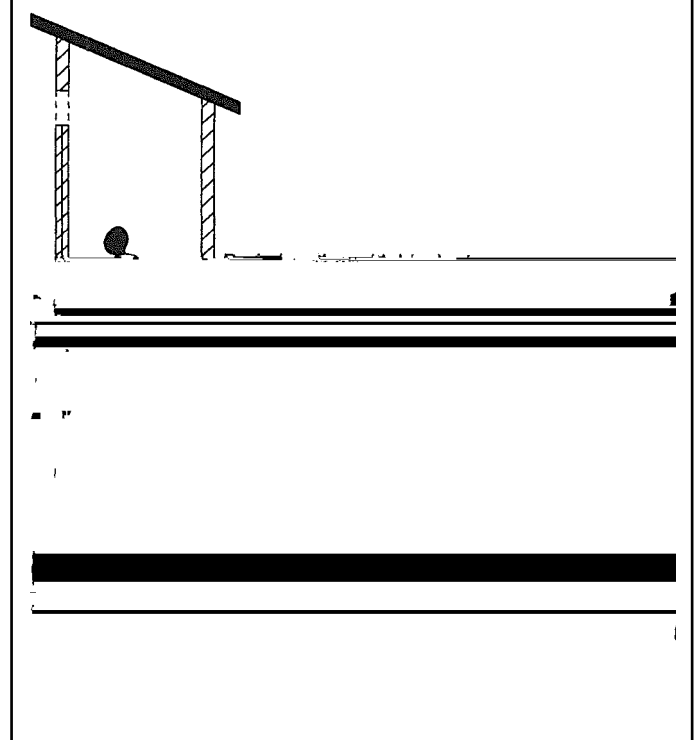
impost  
trine  
ote 3)

# A guide to sanitation selection

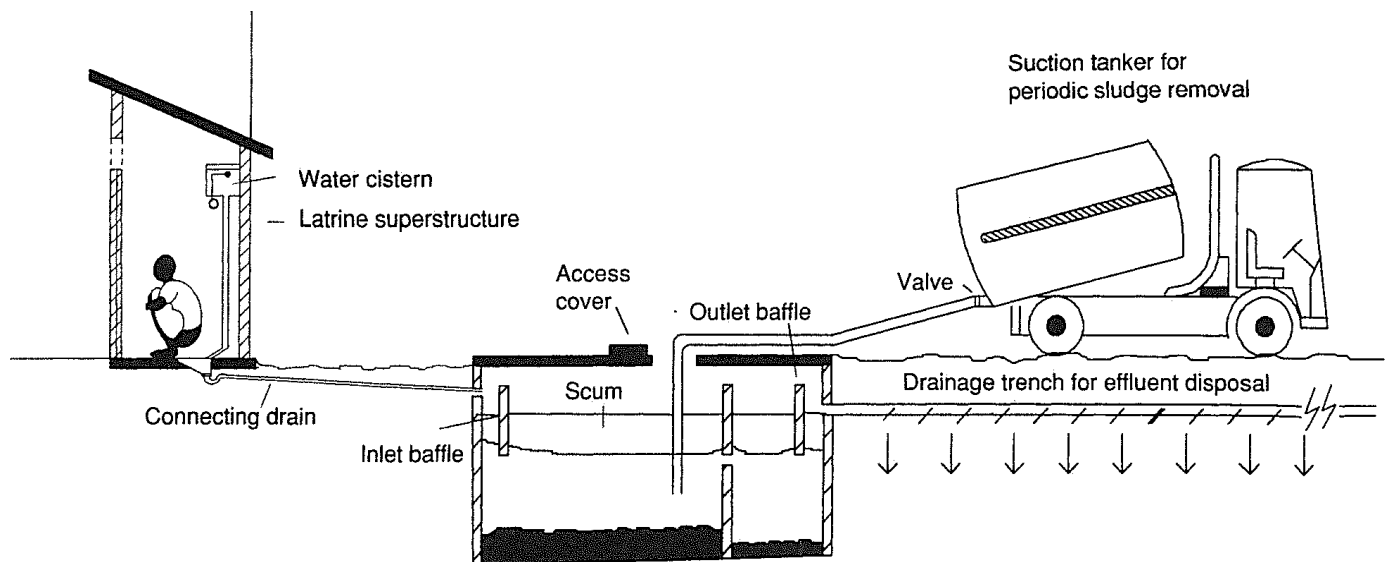
## 4. Pour flush single pit offset



## 5. Pour flush twin pit



## 6. Septic tank



Note: In all systems, seats may be used as an alternative to squatting

### For further information:

Franceys, Pickford, Reed, *On-Site Sanitation*, WHO 1991.

Text and design: Richard Franceys

Illustrations: Rod Shaw

WEDC, Loughborough University of Technology, Loughborough, Leicestershire LE11 3TU, UK.